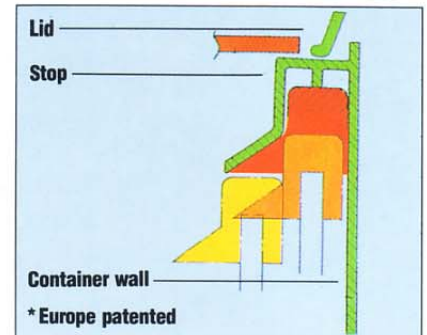


MGB 120, 140, 240



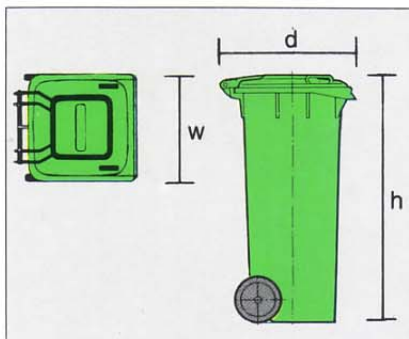
SYSTEM 2002*



The SYSTEM 2002* is the further technical development of the comb ledge for large waste containers (MGB).

The SYSTEM 2002* is especially suitable for the modern automatic lifting devices.

The SYSTEM 2002* offers a tolerance in the comb area to match the tight tolerances of the comb ledge with the lifting devices. Due to this, an exact positioning for the data carrier of the weighing unit is ensured.



Operating Safety ensured

The SYSTEM 2002* meets all the technical safety requirements which are enforced on standardised large waste containers (CEN-Standards).

- ergonomic design
- robust construction
- double hinges
- UV-stabilized
- re-cycleable
- available in various colours and versions (e.g. Security-/Bio-Con/Battery-Container)

Size	w	d	h
120 litre	480	555	930
140 litre	480	555	1070
240 litre	580	725	1070



Häfner & Krullmann GmbH

Plastic Processors
 Krentruper Straße 7
 33818 Leopoldshöhe (Germany)
 P.O. Box 11 53
 33814 Leopoldshöhe (Germany)
 Tel.: (05208) 7004-0
 Fax: (05208) 7004-55

