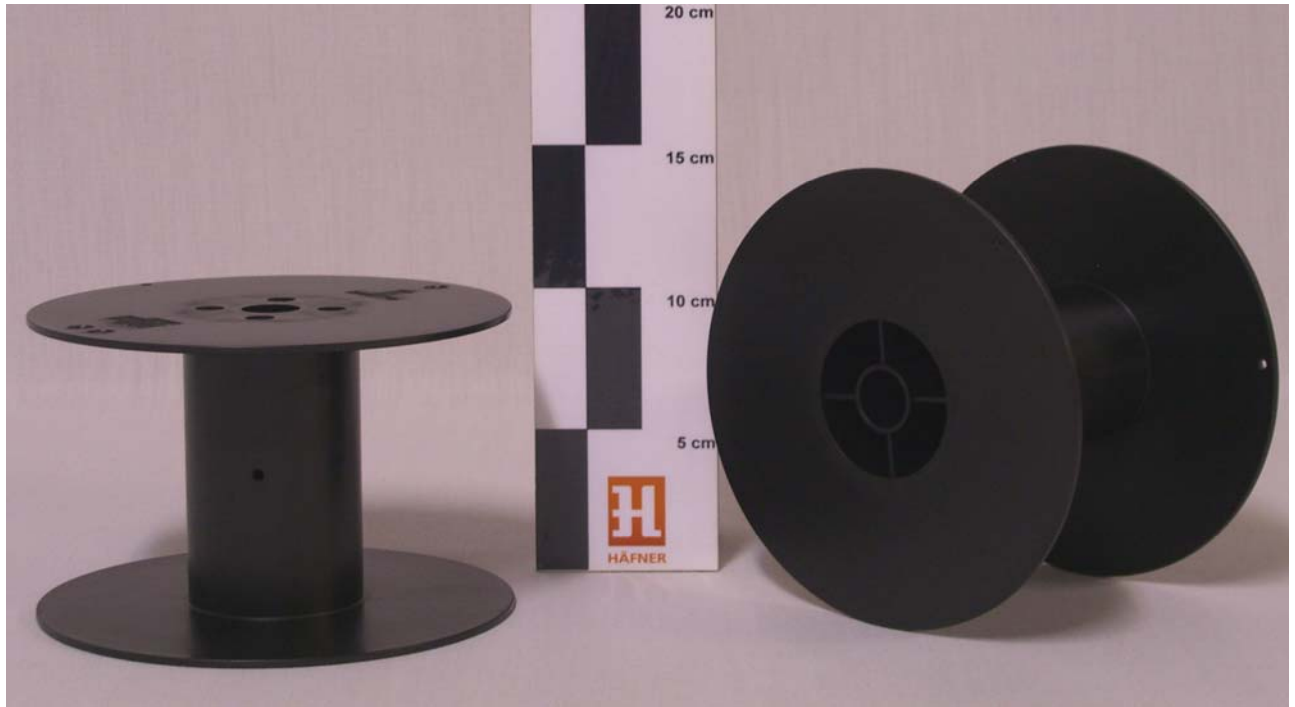
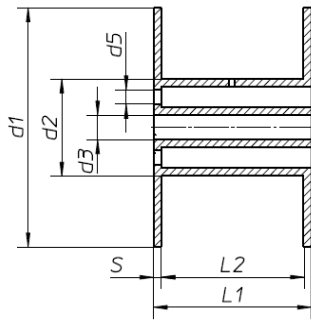


# Spule / Reel HD 150/19-100



**Maße / dimensions :**



<b>d 1</b>	[ mm ]	<b>149,5</b>	<b>5,9</b>	[inch]
<b>d 2</b>	[ mm ]	<b>55</b>	<b>2,2</b>	[inch]
<b>d 3</b>	[ mm ]	<b>19,3</b>	<b>0,8</b>	[inch]
<b>L 1</b>	[ mm ]	<b>100</b>	<b>3,9</b>	[inch]
<b>L 2</b>	[ mm ]	<b>94</b>	<b>3,7</b>	[inch]
<b>S</b>	[ mm ]	<b>3</b>	<b>0,1</b>	[inch]
<b>V</b>	[ cm <sup>3</sup> ]	<b>1427</b>	<b>87,2</b>	[inch <sup>3</sup> ]

<b>Material / material:</b>	Spule aus PS Auch andere Qualitäten lieferbar.	/	reel made of PS material also available in other material qualities
<b>Besonderheiten / peculiarity:</b>	Lebensmittelechtes Material. ( LMBG-Symbol )	/	food-save material (LMBG ("Foods and Other Commodities Act") - logo)
<b>Einsatzzweck / application:</b>	Spule für Heftdrähte	/	Reel for stitching wire
<b>Verpackung / packaging:</b>	1232 Stck. auf Einwegpalette 80 x 120 x 180 cm	/	1232 pcs. per pallet; dim. 32 x 47 x 71 inch